

LEDBeam 150™



ROBE®

LEDBeam 150™

PERFECT
COLOUR
MIXING

7 X 40W
RGBW
MULTICHIPS

ZOOM
RANGE 3.8°-60°

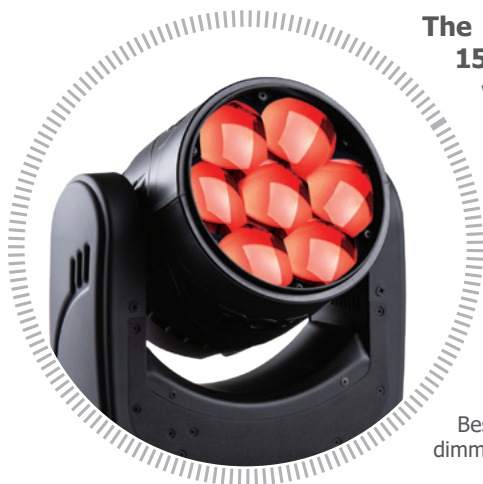
18 BIT
DIMMER

TRUE
WHITES

EXTREMELY
FAST
PAN
TILT
MOVEMENT



The best things come in small packages, now with zoom included. LEDBeam 150™ is the answer with fast sweeping beams and a wide far-reaching quality wash in compact housing.



The spectacular zoom range of 3.8° to 60° uses an eminent custom-designed optical system, now equipped with Robe's innovative lens coating technology which brings benefits such as bright and clear lenses, no scratches or marks, higher light output and longer intervals between cleaning.

The unique LEDBeam 150™ FWQ offers Fresnel-Wash type of light output for even smooth edges and better color homogenization.

Attractive colorful chases and smooth transitions are powered by a cluster of high power multichip 40W RGBW LEDs.

A highly optimized motorised control produces speedy pan and tilt movement.

Besides intense strobing capabilities, both LEDBeam 150™ and LEDBeam 150™ FWQ also offer gentle 18-bit dimming, including Tungsten lamp effects.

Source

- Light source type: 7 x 40W RGBW multichips
- LED life Expectancy: min. 50.000 hours
- Typical lumen maintenance: L70/B50 @ 50.000 hours

Optical System

- Robe's proprietary optical design
- RLCT™ Innovative lens coating technology
- High - efficiency zoom optical system, ratio 15.5: 1
- Zoom range: 3.8° - 60°
- Diffusion filter imbedded (for LEDBeam 150 FWQ)
- **LEDBeam 150**
Fixture total lumen output:
3.550 lm (integrating sphere)
2.842 lm (goniophotometer)
Illuminance: 12.200 lx @5m
- **LEDBeam 150 FWQ**
Fixture total lumen output:
2.850 lm (integrating sphere)
2.288 lm (goniophotometer)
Illuminance: 8.190 lx @5m

Dynamic Effects and Features

- Colour mixing mode RGBW or CMY
- Variable CTO: 2.700K - 8.000K
- DataSwatch™ filters: pre-programmed 66 colours and tones including most used whites 2.700K, 3.200K, 4.200K, 5.600K and 8.000K
- Tungsten lamp effect: 750W, 1.000W, 1.200W, 2.000W, 2.500W lamp emulation for whites from 2.700K to 4200K (red shift and thermal delay)
- Motorized zoom
- Pre-programmed random strobe & pulse effects
- High resolution electronic dimming: 0-100 %

Control and Programming

- Setting & Addressing: two-row LCD display & 4 control buttons, stand-alone operation with 3 editable programs (each up to 40 steps)
- Protocols: USITT DMX-512, RDM
- Wireless CRMX™ technology from Lumen Radio - on request
- DMX Protocol modes: 2
- Control channels: 22, 16
- Pan/Tilt resolution: 8 or 16 bit
- RGBW / CMY: 8 or 16 bit
- Zoom: 8 or 16 bit
- Dimmer: 8 or 16 bit (internal 18 bit)

Movement

- Pan movement: 450°
- Tilt movement: 228°
- Movement control: Standard and Speed
- Controllable speed of Pan/Tilt movement
- Automatic Pan/Tilt position correction

Thermal Specification

- Maximum ambient temperature: 45 °C (113 °F)
- Maximum surface temperature: 80 °C (176 °F)
- Minimum operating temperature: -5 °C (23 °F)

Noise Levels

- Sound pressure level: 18 dB(A) at 1 m (quiet mode)
34 dB(A) at 1 m (auto mode)
- Sound power level: 26 dB(A) (quiet mode)
42 dB(A) (auto mode)

Electrical Specification and Connections

- Power supply: Electronic auto-ranging
- Input voltage range: 100-240 V, 50/60 Hz
- Power consumption: Max. 220W
- Power connector in/out: Neutrik powerCON in/out
- DMX and RDM data in/out: Locking 5-pin XLR

Approvals

- CE Compliant
- cETLus Compliant

Environmental Information

- GWP (Global Warming Potential) total in modules A1-A3 (according LCA): 137 kg CO2e
- Recycled contain material: 7.8%

Mechanical Specification

- Height: 337 mm (13.27")
- Width: 244 mm (9.6")
- Depth: 149 mm (5.87")
- Weight: 5.7 kg (12.6 lbs)
- Ingress protection rating: IP20

Included Items

- User Manual
- Omega Adaptor CL-regular

Rigging

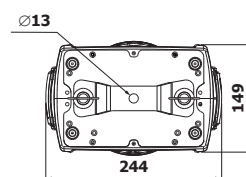
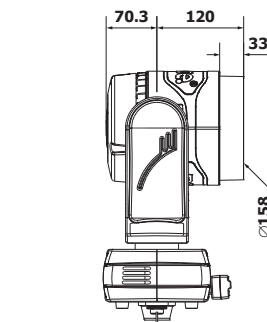
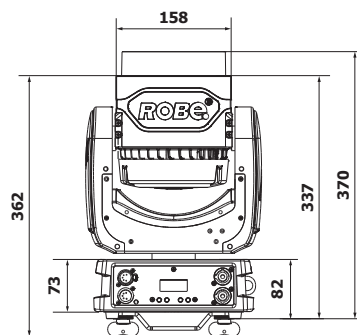
- Mounting points: 1 pair of 1/4-turn locks
- 1 x Omega adaptor with 1/4-turn quick locks
- Universal operating position
- Safety cable attachment point

Optional Accessories

- Diffusion filter 2° FWQ (for LEDBeam 150): 10980423
- Clear lens cover: 10980604
- Wireless DMX external module: 10980127
- EggCrate: 10980346
- Doughty Trigger Clamp: 17030386
- Safety wire 36 kg: 99011963
- Mains Cable powerCON In/Schuko 2 m: 13051724
- Mains Cable powerCON In/CEE 16A 2 m: 13051725
- Mains Cable powerCON In/US 2 m: 13051726
- Mains Cable powerCON In/open ended 2 m: 13051731
- Daisy Chain powerCON In/Out EU 2 m: 13051727
- Daisy Chain powerCON In/Out US 2 m: 13051728
- Single Top Loader Case: 10120214
- Quad Top Loader Case: 10120215
- Eight Pack Top Loader Case: 10120216
- Foam Shell: 20020300

Legal

- LEDBeam 150™ is a Trademark of Robe lighting s.r.o.
- LEDBeam 150™ and LEDBeam 150™ FWQ are patented by Robe lighting s.r.o. and protected by one or more pending or issued patents



Optical System

Incorporating sophisticated custom-designed optical system combined with optional eggcrate for precise control of the light beam.



Zoom Range

Spectacular zoom range of 3.8° to 60° offers fast sweeping beams and a wide excellent quality wash.



Lens Coating Technology

The innovative lens coating technology protects soft plastic lenses against „surface scattering“ even when scrubbed repeatedly. Anti-static properties prolong the time period before the lenses will collect dust and create white maps on the lens surface. The new coating brings countless benefits including longer intervals between cleaning, bright and clear lenses, no scratches or marks, and higher light output (Patent pending).



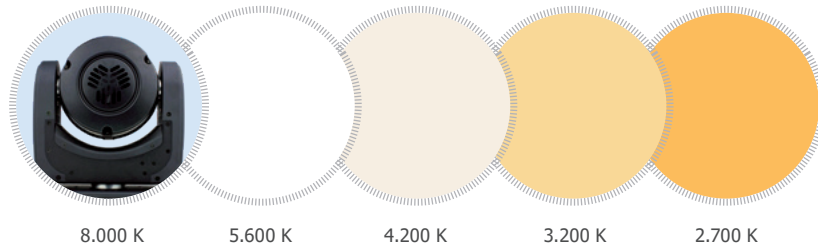
LED Colours

LEDBeam 150 is able to produce 4.300 from pastel to saturated colours.



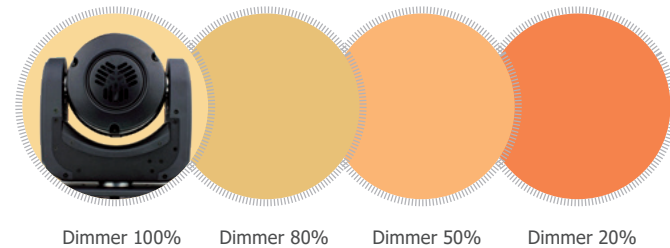
True White Colours

Spotless colormixing of specially calibrated LEDs together with predefined values on a Virtual Colour wheel channel allow quick direct calling of exact white hues of 2.700K, 3.200K, 4.200K, 5.600K and 8.000K.



Tungsten Effect

The Halogen lamp mode provides emulation of 750W, 1.000W, 1.200W, 2.000W and 2.500W tungsten lamps. The dimmer channel initiates halogen lamp-like behavior (red effect and thermal delay) for each lamp type during dimming.

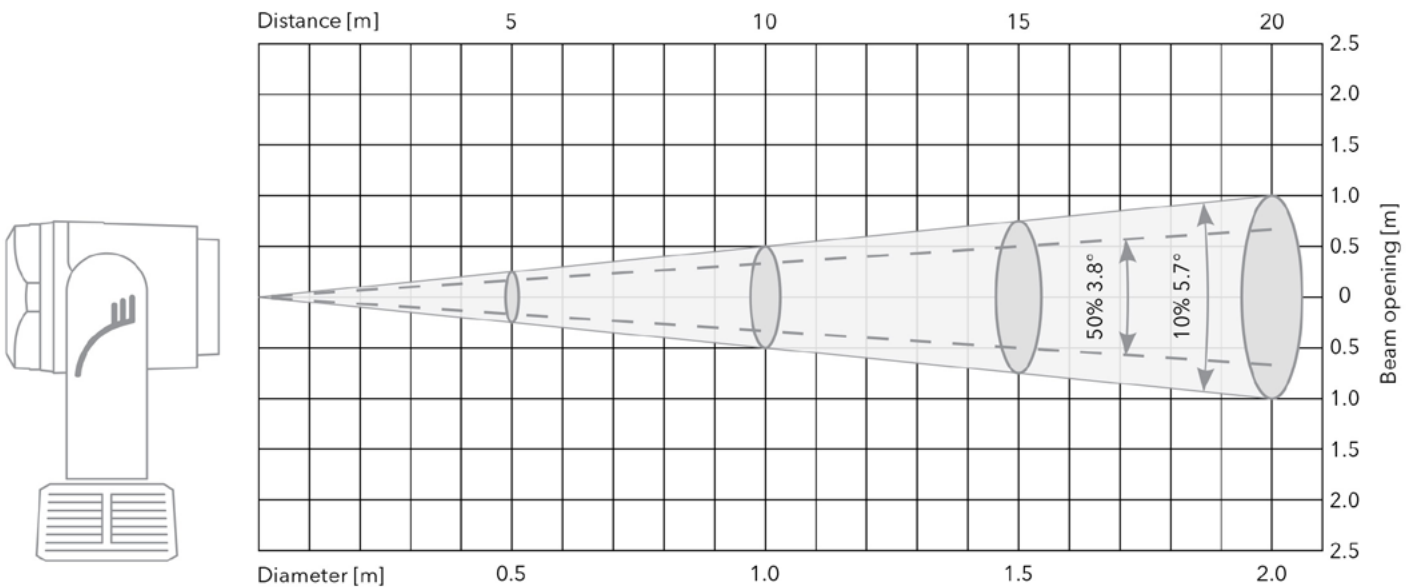


LEDBeam 150

Photometric report

Beam angle 3.8° - Min. zoom

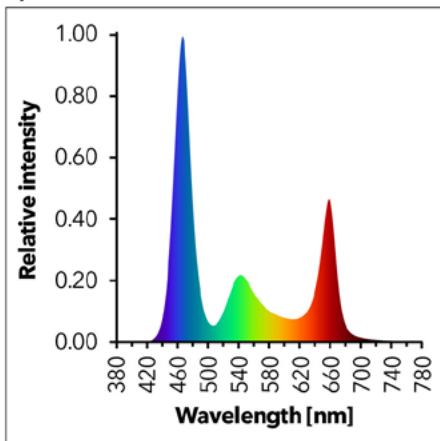
Beam angle	Total lumen output (integrating sphere)	Total lumen output (goniophotometer)	Peak candela	Power
3.8°	1518 lm	1380 lm	305000 cd	172 W



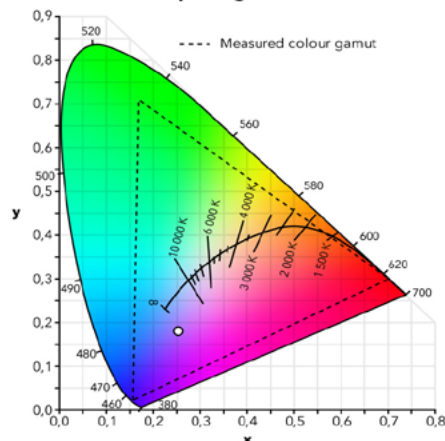
Center beam intensity [lx]/[fcd]; Total lumen output [lm] measured by goniophotometer

Distance	5 m	10 m	15 m	20 m	25 m	30 m	35 m	Total lumens
R+G+B+W	12200/1133	3050/283	1356/126	763/71	488/45	339/31	249/23	1380
Red	2520/234	630/59	280/26	158/15	101/9	70/7	51/4.8	285
Green	4790/445	1198/111	532/49	299/28	192/18	133/12	98/9	542
Blue	1080/100	270/25	120/11	68/6	43/4	30/2.8	22/2	122
White	6100/567	1525/142	678/63	381/35	244/23	169/16	124/12	690

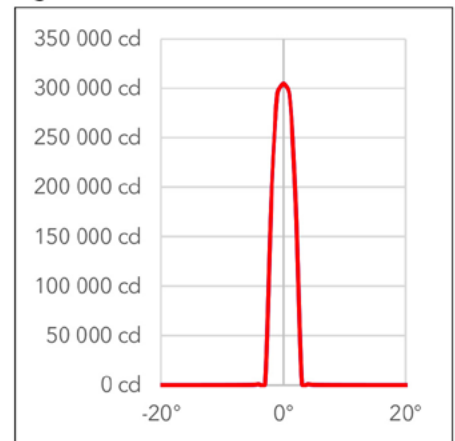
Spectrum



CIE 1931 color space gamut



Light distribution



Color temperature	CCT	N/A
Color Deviation from Black	Duv	N/A
Color Coordinate CIE 1931	x	0.2528
	y	0.1801
Color Coordinate	u	0.2172
	v	0.2321

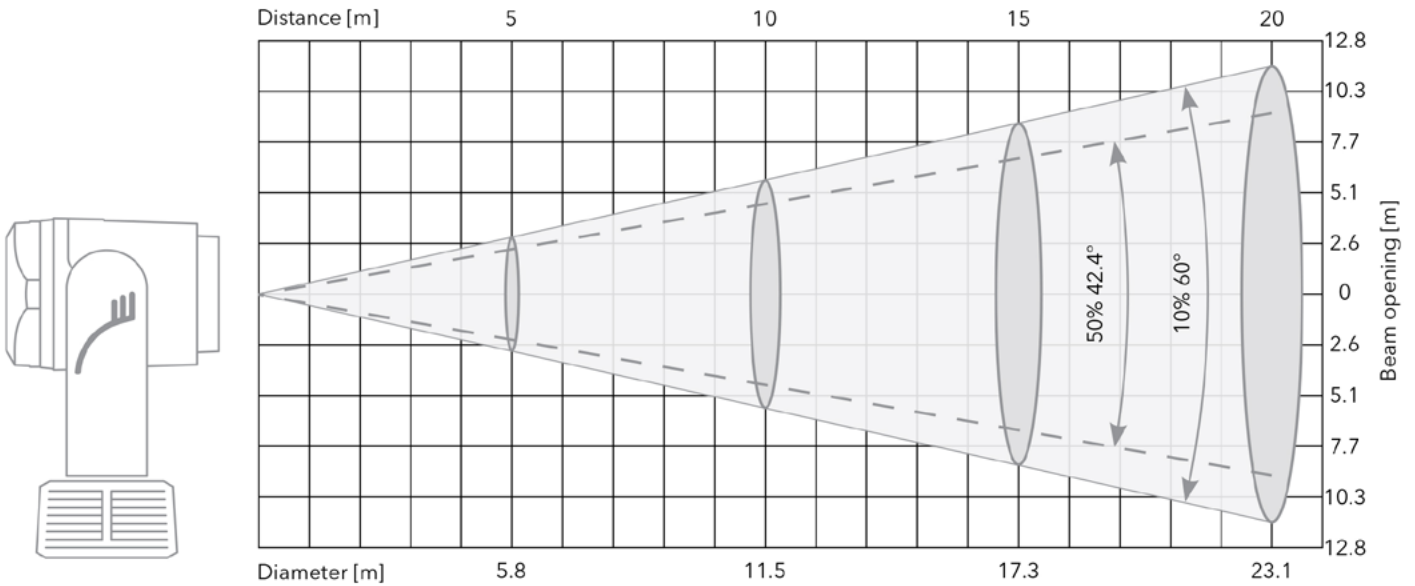
Color rendering index	CRI	N/A
Red component	CRI R9	N/A
Color fidelity	TM30 Rf	N/A
Color gamut	TM30 Rg	N/A
Television consistency Index	TLCI	N/A

LEDBeam 150

Photometric report

Field angle 60° - Max. zoom

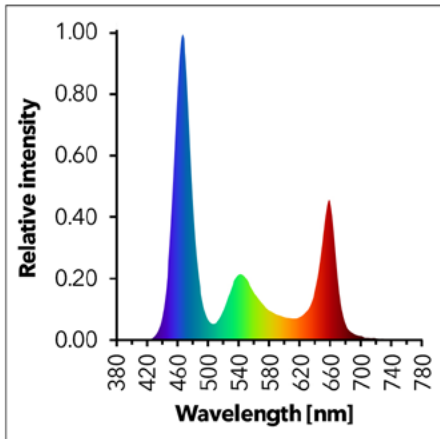
Field angle	Total lumen output (integrating sphere)	Total lumen output (goniophotometer)	Peak candela	Power
60°	3553 lm	2842 lm	6675 cd	172 W



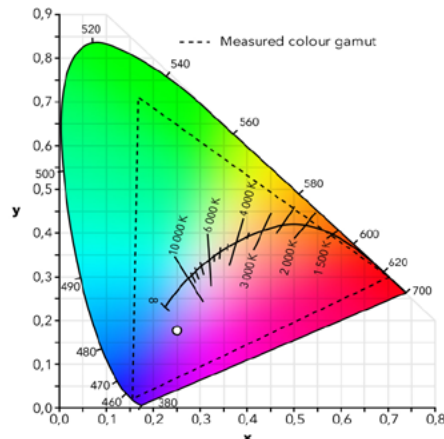
Center beam intensity [lx]/[fcd]; Total lumen output [lm] measured by goniophotometer

Distance	5 m	10 m	15 m	20 m	25 m	30 m	35 m	Total lumens
R+G+B+W	267/25	67/6	30/2.8	17/1.6	11/1	7/0.7	5/0.5	2842
Red	56/5	14/1.3	6/0.6	3.5/0.3	2.2/0.2	1.6/0.1	1.1/0.1	596
Green	108/10	27/2.5	12/1.1	7/0.6	4.3/0.4	3/0.3	2.2/0.2	1150
Blue	23/2.1	6/0.5	2.6/0.2	1.4/0.1	0.9/0.1	0.6/0.1	0.5/0	245
White	134/12	34/3.1	15/1.4	8/0.8	5/0.5	3.7/0.3	2.7/0.3	1426

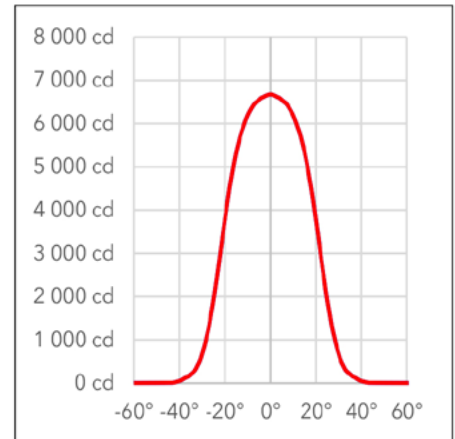
Spectrum



CIE 1931 color space gamut



Light distribution



Color temperature	CCT	N/A
Color Deviation from Black	Duv	N/A
Color Coordinate CIE 1931	x	0.2501
	y	0.1768
Color Coordinate	u	0.2165
	v	0.2295

Color rendering index	CRI	N/A
Red component	CRI R9	N/A
Color fidelity	TM30 Rf	N/A
Color gamut	TM30 Rg	N/A
Television consistency Index	TLCI	N/A

LEDBeam 150™



www.robe.cz



Head office: ROBE lighting s. r. o. | Házovice 2090 | 756 61 Rožnov pod Radhoštěm | Czech Republic

Factory: ROBE lighting s. r. o. | Palackého 416 | 757 01 Valašské Meziříčí | Czech Republic

Tel.: +420 571 751 500 | E-mail: robe@robe.cz

August 2024 © ROBE lighting s. r. o. All specifications subject to change without notice.